



P089X - Lincat Electric Counter-top Pizza Oven - Twin-Deck - W 810 mm - 5.7 kW

Transport yourself to the Centro Storico district of Naples with the authentic taste of the pizzas from the Lincat Twin-Deck Electric Pizza Oven.

- ✓ Ideal for restaurants, pizzerias, takeaways, fast food outlets, canteens and leisure establishments
- ✓ Perfect for deep pan, thin crust, fresh dough, part baked or frozen pizzas, as well as a variety of other foods such as ciabatta, naan, garlic bread, lasagna, jacket potatoes, pies, pasties and pastries
- ✓ Firebrick base for crisp, even cooking of pizza bases and a maximum temperature of 400°C
- ✓ Independent controls for each deck. Independently controlled top and base of oven compartment for each deck
- ✓ Thermostatic control and temperature display gauge to monitor oven temperature more accurately
- ✓ Fully insulated doors for energy efficiency and safe operation
- ✓ 20 minute audible timer

Specifications

Summary

Range Name	Lincat
Power Type	Electric
Unit Type	Counter-top
Available in UK Only	No
UK Warranty	2 Years Parts and Labour Warranty
Export Warranty	Contact your local dealer
GTIN Code	5056105103752

Power and Performance

Total Power kW	5.7
Temperature Range °C	80 - 400
IP Rating	IP23
Temperature Control	Mechanical
Oven Rating kW	5.7

Key Specifications

Number of Decks	2
------------------------	---

Weights and Dimensions

Unit Height (External) mm	565
Unit Width (External) mm	810
Unit Depth (External) mm	720
Height (Internal) mm	175
Width (Internal) mm	550
Depth (Internal) mm	540
Net Weight Kg	88.8

Supply Connections

Requires Installation	Yes
Requires Electrical Supply	Yes
UK 3 Pin Plug	No
Requires Hardwiring	Yes
Electrical Supply Rating Watts	5,700
Single Phase Amps	24.8
Single Phase Voltage	230
Three Phase Amps	L1=7.6 ; L2=9.6 ; L3=7.6
Three Phase Voltage	400

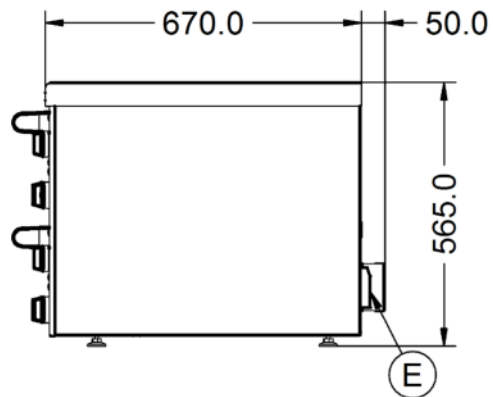
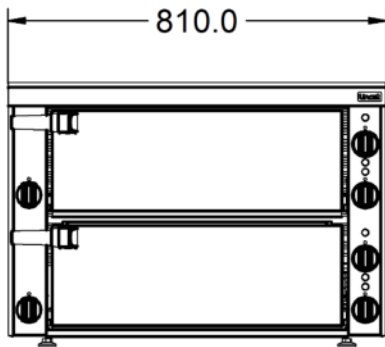
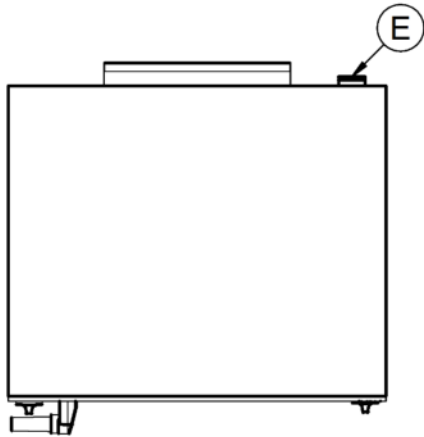
Shipping

Packed Weight Kg	93
Packed Height cm	73
Packed Width cm	94.5
Packed Depth cm	90

Available Accessories

POFS	PIZZA OVEN FLR STAND - P049X AND P089X
-------------	--

Technical Picture



Lincat Limited

Whisby Road,
Lincoln, LN6 3QZ,
United Kingdom

Company No: 2175448

A member company of



Customer Care

Tel: +44 1522 875500
Email: care@lincat.co.uk

Export Customers

Tel: +44 1522 503250
Email: export@lincat.co.uk

Opening Hours

Monday – Friday:
8.30am – 5pm